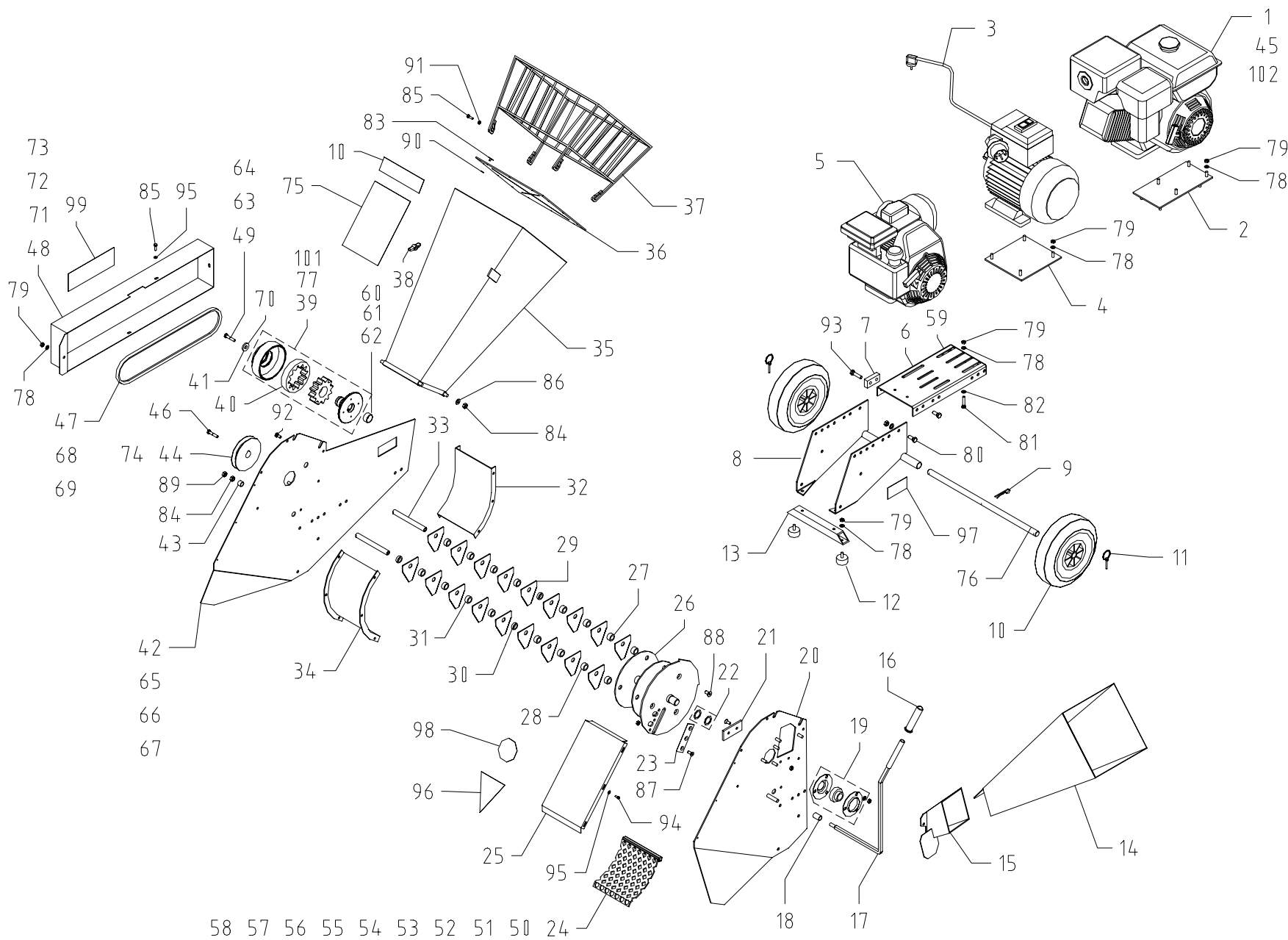


BIO 80 E / B



BIO 80 E / B



Pos.	Description	Q.ty	Code	Pos.	Description	Q.ty	Code
1	Engine HP 9	1	014100002	40	Centrifugal rubber ϕ 122	1	013800010
2	Adapter plate (1)	1	081007060	41	Retainer washer (5-102)	1	510000843
3	Electric motor	1	015300000	42	Electric frame	1	081007040
4	Adapter plate (3)	1	081007061	43	Spacer L = 13	1	080005019
5	Engine HP 5.5	1	014100000	44	Pulley 1A 140 (5-102)	1	080007200
6	Motor support	1	080002000	45	Engine HP 8	1	016300000
7	Spacer 15 F2	1	081002020	46	Screw TE M 10x20	1	500020010
8	Frame / axle	1	081001010	47	Belt A-49 (3)	1	620030037
9	Pin R 2.5	1	530005501	48	Belt guard casing (3)	1	081009010
10	Wheel 260x85	2	014700000	49	Screw TE 5/16" (5-102)	1	505160114
11	Pin	2	530005500	50	Sieve ϕ 8*	1	080005011
12	Rubber feet	2	013900000	51	Sieve ϕ 10*	1	080005012
13	Foot support	1	081001011	52	Sieve ϕ 12*	1	080005014
14	Chipper mouthpiece	1	080004050	53	Sieve ϕ 15*	1	080005016
15	Chipper mouthpiece supp.	1	081008010	54	Sieve ϕ 20*	1	080005018
16	Hand grip ϕ 16	1	540001600	55	Sieve ϕ 30*	1	080005022
17	Sieve lever	1	080005000	56	Sieve ϕ 35*	1	080005024
18	Spacer L = 27	1	080005010	57	Sieve ϕ 40*	1	080005026
19	Bearing SBPF 205	2	550002125	58	Sieve ϕ 50*	1	080005028
20	Chipper frame	1	080007011	59	Motor support HP 9	1	080002002
21	Counterblade	1	013000060	60	Spacer ϕ 3/4 (5-102)	1	001000340
22	Spacer PS ϕ 25	X	080009060	61	Spacer ϕ 1" (1-45)	1	010002540
23	Chipper blade	1	013300800	62	Spacer ϕ 28 (3)	1	001000280
24	Sieve ϕ 25	1	080005020	63	Screw TE 7/16" (1-45)	1	507160134
25	Front covering	1	080007102	64	Screw TE M 8x30 (3)	1	500019508
26	Rotor	1	080007040	65	Frame HP 5.5	1	081007020
27	Spacer H = 14	4	080007090	66	Frame HP 8	1	081007030
28	Spacer H = 12.5	8	080007070	67	Frame HP 9	1	081007045
29	Blade TR 3	27	070007060	68	Belt A-50 (5-102)	1	620030043
30	Spacer H = 7	2	080007100	69	Belt A-56 (1-45)	1	014900006
31	Spacer H = 11.5	12	080007080	70	Retainer washer (1-45)	1	014900006
32	Lower bottom	1	080007202	71	Belt guard casing HP 5.5	1	081009030
33	Rotor pin	3	080007050	72	Belt guard casing HP 8	1	081009020
34	Upper bottom	1	080007101	73	Belt guard casing HP 9	1	081007045
35	Hopper B 180	1	081006000	74	Pulley 1A 120 (3)	1	080007220
36	Hopper rubber 328x328	1	080003001	75	Adhesive group	1	000000002
37	Hopper protection	1	080006011	76	Axle ϕ 20	1	080001000
38	Ball hand grip 6 E M 8	1	540006800	77	Centr. clutch ϕ 122 ϕ 1" (1-45)	1	013800000
39	Centrif. clutch ϕ 122 ϕ 3/4 (5-102)	1	013800034	78	Washer ϕ 9x18	17	510005009

BIO 80 E / B

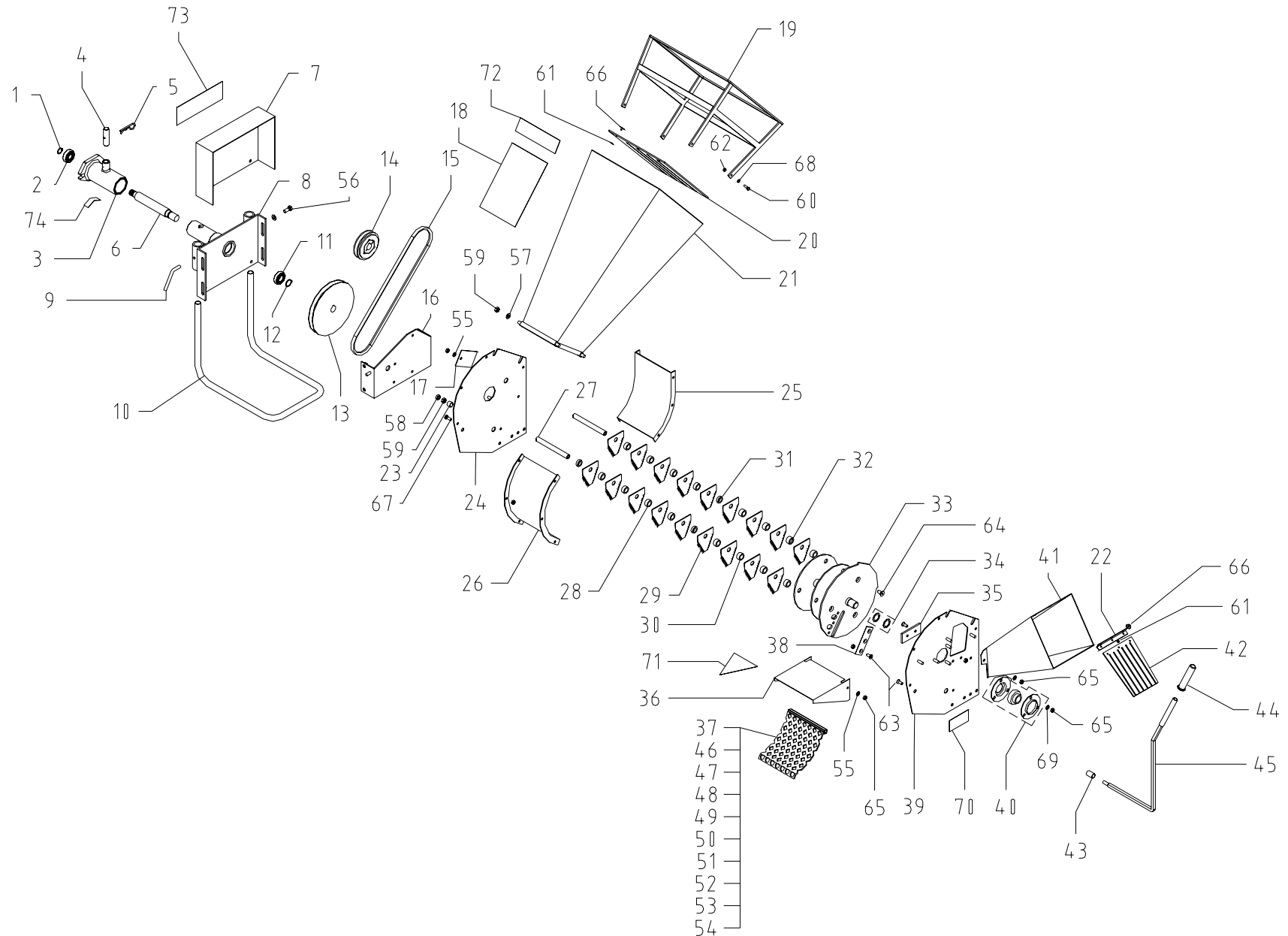


Pos.	Description	Q.ty	Code
79	Self lock nut M 8	37	520002008
80	Screw TE M 10x25	11	500012001
81	Screw TE M 8x40	5	500006208
82	Washer ϕ 9x27	10	510005509
83	Rivet ϕ 4,9x16 Al	12	530002000
84	Self lock nut M 10	14	520002010
85	Screw TE M6x20	8	520004506
86	Washer ϕ 11x22	4	530001800
87	Screw TSPEI M 8x20	5	500011008
88	Screw TSPEI M10x20	3	500018810
89	Nut M 10	1	500001108
90	Washer ϕ 6x12	12	510002505
91	Self lock nut M 6	8	500022006
92	Screw TE M 8x15	12	500080008
93	Screw TE M 10x40	2	500001040
94	Screw TCEI M 5x12	6	500012005
95	Washer ϕ 6x18	9	510002505
96	Adhesive	1	000000004
97	Adhesive	1	000000041
98	Adhesive	1	000000008
99	Adhesive	1	000000005
100	Adhesive	1	000000034
101	Centr. clutch ϕ 122 ϕ 28 (3)	1	013800028
102	Engine HP 6,5	1	014100004

* Optional item

Rev.2-2007

BIO 80 MTC



BIO 80 MTC



Pos.	Description	Q.ty	Code	Pos.	Description	Q.ty	Code
1	Seeger ring E-20	1	510011000	39	Chipper frame DX	1	080017010
2	Bearing 6204 2RS	1	540002000	40	Bearing SBPF 205	2	550002125
3	Support AR	1	080010302	41	Chipper mouthpiece	1	080004000
4	Gudgeon pin	1	010202000	42	Chipper mouth. prot.	1	080004001
5	Pin R	1	530001000	43	Spacer L=27	1	080005010
6	Shaft	1	010203000	44	Hand grip Ø 16	1	540001600
7	Belt cover casing	1	080010400	45	Sieve lever	1	080005000
8	MTC Support	1	080010300	46	Sieve Ø 8*	1	080005011
9	Lock pin M8	2	080010200	47	Sieve Ø 10*	1	080005012
10	Machine support	1	010010101	48	Sieve Ø 12*	1	080005014
11	Bearing 6205 2RS	1	540002001	49	Sieve Ø 15*	1	080005016
12	Seeger ring E-25	1	510011001	50	Sieve Ø 25*	1	080005018
13	Pulley 1A 200	1	080018000	51	Sieve Ø 30*	1	080005022
14	Pulley 1A 100	1	080007300	52	Sieve Ø 35*	1	080005024
15	Belt A-32	1	620008032	53	Sieve Ø 40*	1	080005026
16	Support coupling plate	1	080010301	54	Sieve Ø 50*	1	080005028
17	Galvanised cover plate	1	070003839	55	Self lock nut M 6	4	500022006
18	Adhesive group	1	000000002	56	Washer Ø9x18	5	510005009
19	Hopper protection	1	080006010	57	Screw TE M10x25	4	500009010
20	Hopper rubber	1	080003000	58	Washer Ø11x22	8	530001800
21	Hopper	1	080006000	59	Nut M10	1	500001108
22	Angle	1	080003011	60	Self lock nut M 10	9	520002010
23	Spacer L=13	1	080005019	61	Screw TE M6x20	4	520004506
24	Frame SX	1	080007020	62	Washer Ø6x12	17	510002505
25	Lower bottom	1	080007202	63	Rivet φ 4.9x16 Al	17	530002000
26	Upper bottom	1	080007101	64	Screw TSPEI M8x20	7	500011008
27	Rotor pin	3	080007050	65	Screw TSPEI M10x20	3	500018810
28	Spacer H=12,5	8	080007070	66	Self lock nut M 8	27	520002008
29	Blade TR3	27	070007060	67	Screw TE M8x15	14	500019608
30	Spacer H=11,5	12	080007080	68	Washer Ø6x18	4	510002505
31	Spacer H=7	5	080007100	69	Washer Ø9x27	4	510005509
32	Spacer H=14	4	080007090	70	Adhesive	1	000000041
33	Rotor	1	080007040	71	Adhesive	1	000000004
34	Spacer PS Ø 25	1	080009060	72	Adhesive	1	000000034
35	Counterblade	1	013000000	73	Adhesive	1	000000005
36	Deflector	1	080008000	74	Adhesive	1	000000024
37	Sieve Ø 25	1	080005020				
38	Chipper blade	1	013300800				

* Optional item

Rev.2-2007